

KIOSK WL SERIES



Features

The standard basic kiosk has the following features:

- Steel base.
- Preparation for wall mounting.
- Standard colors include silver, white, black and graphite.
- ADA compliant.
- Security camlocks and key.
- 32", 42" or 55" touchscreen monitor.
- Small form factor, industrial grade PC.
- Contemporary thin design.
- All-metal enclosure.

This kiosk is ideal for:

-  Product information.
-  Mall and building directories.
-  Virtual maps.
-  Virtual Remote Assistance.
-  Digital signage or advertising.
-  Tourist information.
-  Customer services.
-  Multimedia presentations & video
-  Wayfinding.

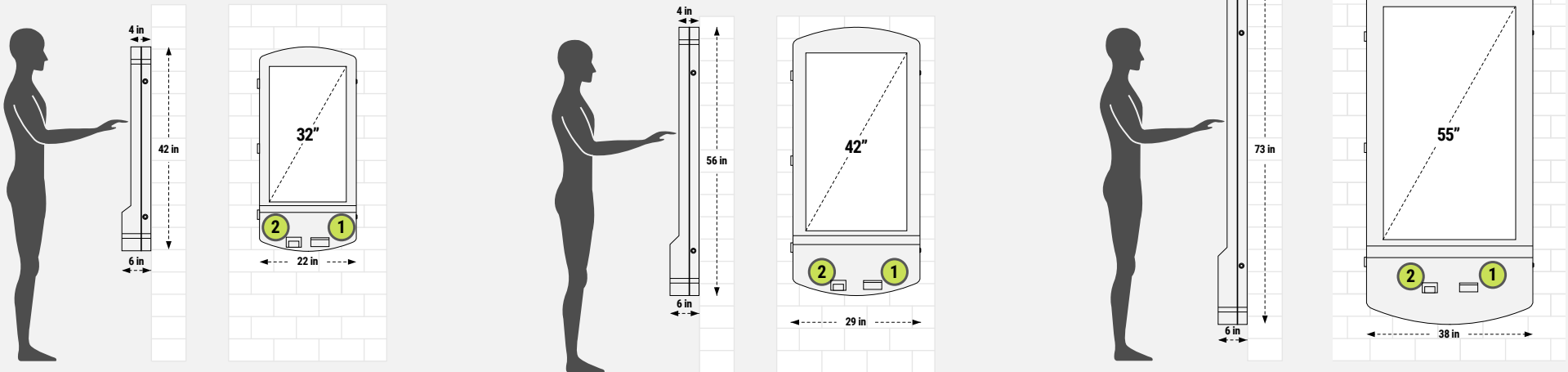
Specifications

- **Material**
Cold rolled steel.
- **Finishing**
Powder coated paint.
- **Monitor**
32", 42" or 55" anti-vandal touchscreen monitor.
- **CPU**
Industrial grade i3 processor, 8GB RAM, 120 SSD, Win 10
- **Energy requirements:**
110V
- **Safety**
Front door access with security camlock.
- **Weight**
Enclosure: 90-130 lbs.
With components: 180 - 240 lbs.
- **Temperature**
In operation: 42 - 113 °F (6-45 °C),
for storage: 30 - 131 °F (0 - 55 °C).

Options

- **Colors**
 Basic or premium color options.
- **Printer**
 80mm thermal printer.
- **Peripherals**
 Barcode reader, fingerprint reader, speakers, magnetic stripe reader, webcam, hybrid reader and many others (call for other options).
- **Sensors**
 Temperature, humidity, proximity.
- **CPU**
 i3, i5 or i7 processors, solid state drive options from 64GB to 512GB and 8 to 32 RAM available.
- **Networking**
 Standard 10/100/1000 Ethernet, USB 802.11 b/g/n WIFI option.
- **OS**
 Win 10 Pro or IoT
- **Keyboard**
 Anti-vandal stainless steel 66 keys keyboard with trackball.
- **Monitor**
 32", 42" or 55" touchscreen monitor.
- **Front Graphics**
 Custom graphics available upon request.
- **Monitoring and application lock down**
 Software platform for remote monitoring, session control, security and content update.
- **Warranty**
 1 year standard, can be extended to 3 years.

Technical drawing



- 1 Impresora térmica o laser.
- 2 Lector de código de barras.

* Design and measures may change according to the product updates.