



[alveni.com](http://alveni.com)



# Y SERIES



# KIOSK Y SERIES



## Features

The standard basic kiosk has the following features:

- All metal 16 gauge powder-coated steel.
- 1/4" thick metal Base plate.
- 80 mm cooling fans.
- Security camlocks and key.
- 32" SAW touchscreen monitor.
- Industrial grade PC
- Contemporary thin design.
- All-metal enclosure.
- Custom graphics available upon request.
- ADA compliant.
- Height adjustable base.
- Preparation in base to anchor to ground.

## This kiosk is ideal for:



Mall and building directories.



Digital signage or advertising.



Wayfinding.



Product information.



Virtual maps.



Tourist information.

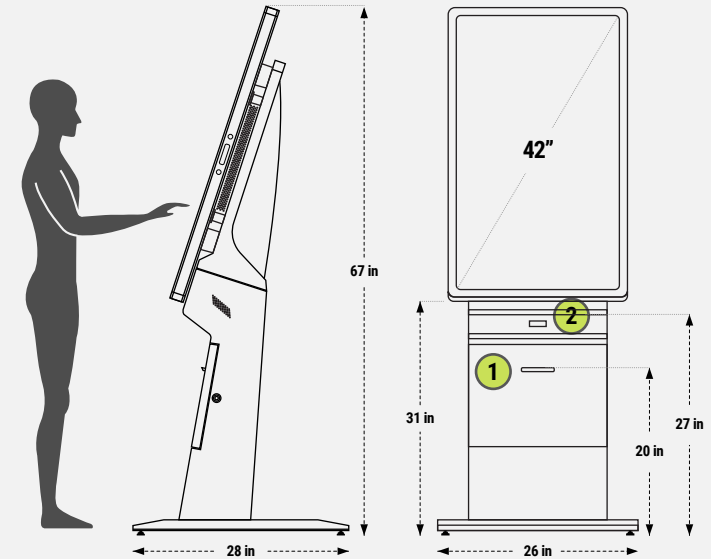
## Specifications

- **Material**  
Powder-coated steel.
- **Finishing**  
Powder coated paint.
- **Monitor**  
32" anti-vandal SAW touchscreen monitor.
- **CPU**  
Industrial grade Intel G1810, 2GB RAM, 250 DD, WinPOS Ready 7, Intel G620T, 84W.
- **Energy requirements**  
110 V.
- **Safety**  
Rear door access with security camlock.
- **Weight**  
Enclosure: 100 lbs.  
With components: 180 - 200 lbs.
- **Temperature**  
In operation: 42 - 113 °F (6-45 °C),  
for storage: 30 - 131 °F ( 0 - 55 °C).
- **Warranty**  
3 years warranty limited in manufacturing and components.

## Options

- **Colors**  
Basic or premium color options.
- **Printer**  
80mm, 110mm or 215mm thermal printers.
- **Periféricos**  
Barcode reader, fingerprint reader, speakers, magnetic stripe reader, webcam, hybrid reader and many others (call for other options).
- **Sensors**  
Temperature, humidity, proximity.
- **CPU**  
Core i3, i5 and GSeries processors, 2.5 inch rotating drive options from 320GB to 1TB, 2.5 inch Solid State Drive options from 120GB to 512GB and 2 to 16 RAM available.
- **Networking**  
Standard 10/100/1000 Ethernet, WiFi option.
- **OS**  
Win POSReady 7, Windows Embedded Standard 7, Windows 7 Pro (32- and 64-bit), Linux (call for version of interest).
- **Keyboard**  
Anti-vandal stainless steel 66 keys keyboard with trackball.
- **Payments**  
Chip card reader and encrypted pin pad.
- **Monitor**  
32", 42", 55" or 70" SAW touchscreen monitor.
- **Brochure racks**  
Optional racks mounted on the sides of the kiosk for applications, brochures or collateral.
- **Graphics**  
Custom graphics available upon request.
- **Monitoring and application lock down**  
Software platform for remote monitoring, session control, security and content update.
- **Services plans**  
Annual plans available for maintenance and services.

## Technical drawing



- ① Reader
- ② Printer

\* Design and measures may change according to the product updates.