

KANAL Strong visual focus in a classic solution.



THIS KIOSK IS IDEAL FOR

- Mall and building directories.
- Wayfinding.
- Virtual maps.
- Digital signage & advertising.
- Electronic surveys.
- Menu information.
- Virtual assistance.
- Tourist information.
- Customer services.
- Multimedia presentations & video.
- Virtual remote assistance.



FEATURES:

The standard basic kiosk has the following features:

- All metal 16 gauge powder-coated steel.
- Security camlock and key.
- 17" SAW touchscreen monitor.
- Small form factor, industrial grade PC.
- Contemporary thin design.
- All-metal enclosure.
- ADA compliant.
- VESA mounting compliant (75, 100 & 400mm).

SPECIFICATIONS



MATERIAL:

Powder-coated steel.

FINISHING:

Powder coated paint.

MONITOR:

17" 1739L anti-vandal SAW touchscreen monitor.

CPU:

Industrial grade 2GB RAM, 250 DD, WinPOS Ready 7, Intel G620T, 84W.

ENERGY REQUIREMENTS:

110V

SAFETY:

VESA mounting holes, lateral door access with security camlock.

WEIGHT:

Enclosure: 40 lbs.

WITH COMPONENTS:

60 - 80 lbs.

TEMPERATURE IN OPERATION:

In operation: 42 - 113 °F (6-45 °C), for storage: 30 - 131 °F (0 - 55 °C).

OPTIONS:

COLORS:

Basic or premium color options.

PRINTER:

80mm thermal printer.

PERIPHERALS:

Barcode reader, fingerprint reader, speakers, magnetic stripe reader, webcam, hybrid reader and many others (call for other options).

COMMUNICATIONS:

Anti-vandal handset with armored cord, high sensitivity microphone, LED lighting and HD webcam.

SENSORS:

Temperature, humidity, proximity.

CPU:

2nd gen. Core i3, i5 and GSeries processors, 2.5 inch rotating drive options from 320GB to 1TB, 2.5 inch Solid State Drive options from 8GB to 64GB and 2 to 8 RAM available.

NETWORKING:

Standard 10/100/1000 Ethernet, USB 802.11 b/g/n WIFI option.

OS:

Win POSReady 7, Windows Embedded Standard 7, Windows 7 Pro (32- and 64-bit), Linux (call for version of interest).

MONITOR:

15", 17" or 19" SAW touchscreen monitor.

SPECIAL OPTIONS:

ENCLOSURE OPTIONS:

Stainless steel, aluminum or powder-coated steel.

GRAPHICS:

Custom graphics available upon request.

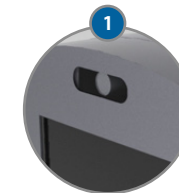
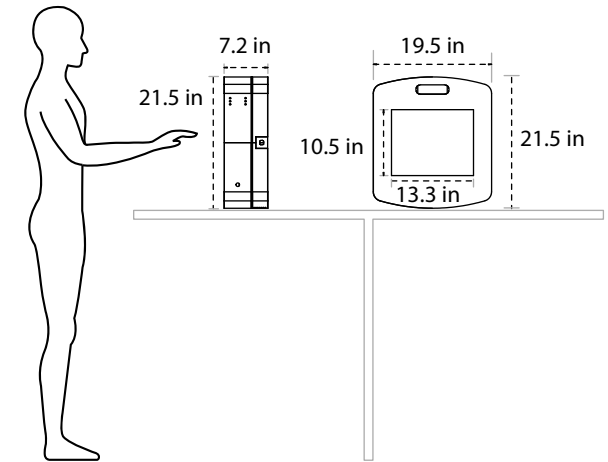
MONITORING AND APPLICATION LOCK DOWN:

Software platform for remote monitoring, session control, security and content update.

WARRANTY:

1 year standard, can be extended to 3 years.

TECHNICAL DRAWING



Webcam



Anti-vandal
phone handset

* Design and measures may change according to the product updates.