



THIS KIOSK IS IDEAL FOR:

- Movie tickets.
- Government Services.
- Products & services payments
- Transportation Tickets.
- Selling products.



STANDARD FEATURES:

The standard kiosk has the following features:

- All metal 16 gauge powder-coated steel.
- 1/4" thick metal Base plate.
- Security camlocks and key.
- 32" touchscreen monitor.
- Hybrid card reader and encrypted pin pad.
- Industrial grade PC
- Contemporary thin design.
- All-metal enclosure.
- Custom graphics available upon request.
- ADA compliant.
- Height adjustable base.
- Preparation in base to anchor to ground.

STANDARD CONFIGURATION

ENCLOSURE:

Powder-coated cold rolled steel enclosure.

PERIPHERALS:

3" (80 mm) thermal printer and 2D barcode reader.

MONITOR:

32" touchscreen monitor.

CPU:

Core i3, i5 processors, HDD from 320GB to 1TB, SSD options from 120GB to 512GB, 2 to 16 GB RAM available.

PAYMENTS:

Hybrid card reader and encrypted pin pad.

ENERGY REQUIREMENTS:

110 V

SAFETY:

Rear door access with security camlock.

WEIGHT:

Enclosure: 100 lbs. / With components: 180 - 200 lbs.

TEMPERATURE:

In operation: 42 - 113 °F (6-45 °C), for storage: 30 - 131 °F (0 - 55 °C).

WARRANTY:

3 years warranty limited in manufacturing and components.



OPTIONS:

COLORS:

Basic or premium color options.

PRINTER:

80mm, 110mm or 215mm thermal printers.

PERIPHERALS:

Barcode reader, fingerprint reader, speakers, magnetic stripe reader, webcam, hybrid reader and many others (ask for other options).

SENSORS:

Temperature, humidity, proximity.

CPU:

Core i3, i5 processors, HDD from 320GB to 1TB, SSD options from 120GB to 512GB, 2 to 16 GB RAM available.

NETWORKING:

Standard 10/100/1000 Ethernet, WiFi option.

OS:

Win POSReady 7, Windows Embedded Standard 7, Windows 7 Pro (32- and 64-bit), Linux (call for version of interest).

KEYBOARD:

Anti-vandal stainless steel 66 keys keyboard with trackball.

PAYMENTS:

Hybrid card reader and encrypted pin pad.

MONITOR:

32", 42", 55" or 70" touchscreen monitor.

SPECIAL OPTIONS:

ENCLOSURE OPTIONS:

Stainless steel, aluminum or powder-coated steel.

BROCHURE RACKS:

Optional racks mounted on the sides of the kiosk for applications, brochures or collateral.

GRAPHICS:

Custom graphics available upon request.

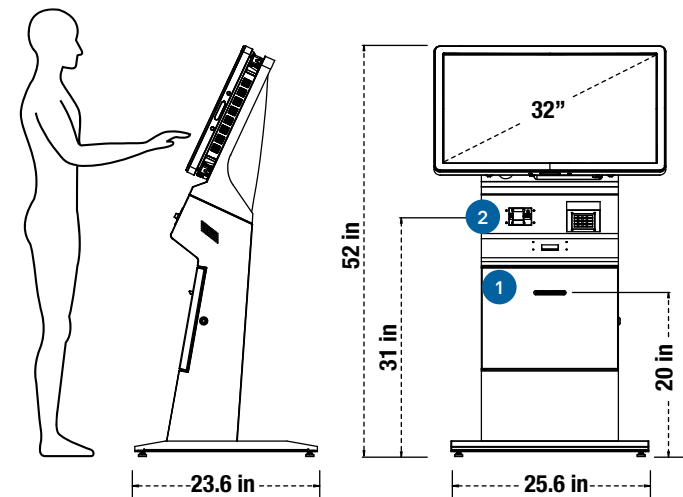
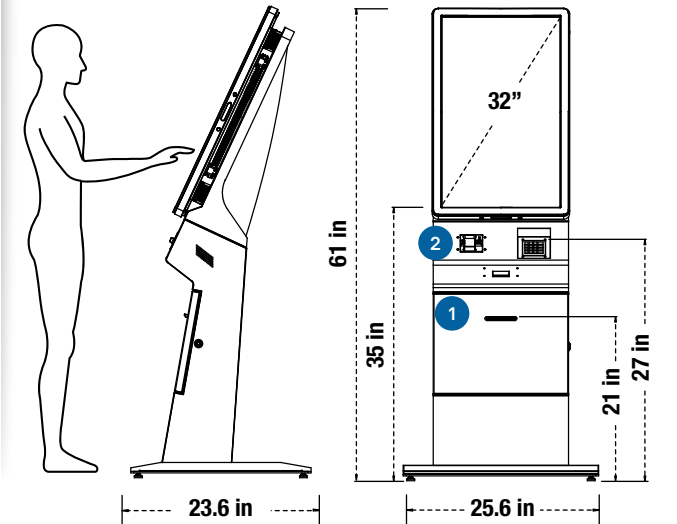
MONITORING AND APPLICATION LOCK DOWN:

Software platform for remote monitoring, session control, security and content update.

SERVICES PLANS:

Annual plans available for maintenance, monitoring and onsite services.

TECHNICAL DRAWING



80mm thermal printer.



Hybrid card reader and encrypted Pin Pad.

* Design and measures may change according to product updates.